

METHACRYLATE TANK - SERIES 09/M -



The tank consists of two die-cast aluminium flanges and a clear methacrylate pipe, all joined together by means for four galvanised steel tie rods.

It comes complete with a filter on the air suction side, a filter for fluids inside and a 1/2 G filling cap.

Two M8 holes for fixing onto the equipment are provided on the upper and lower flanges.

IMPORTANT!
Never pressurize the tank.



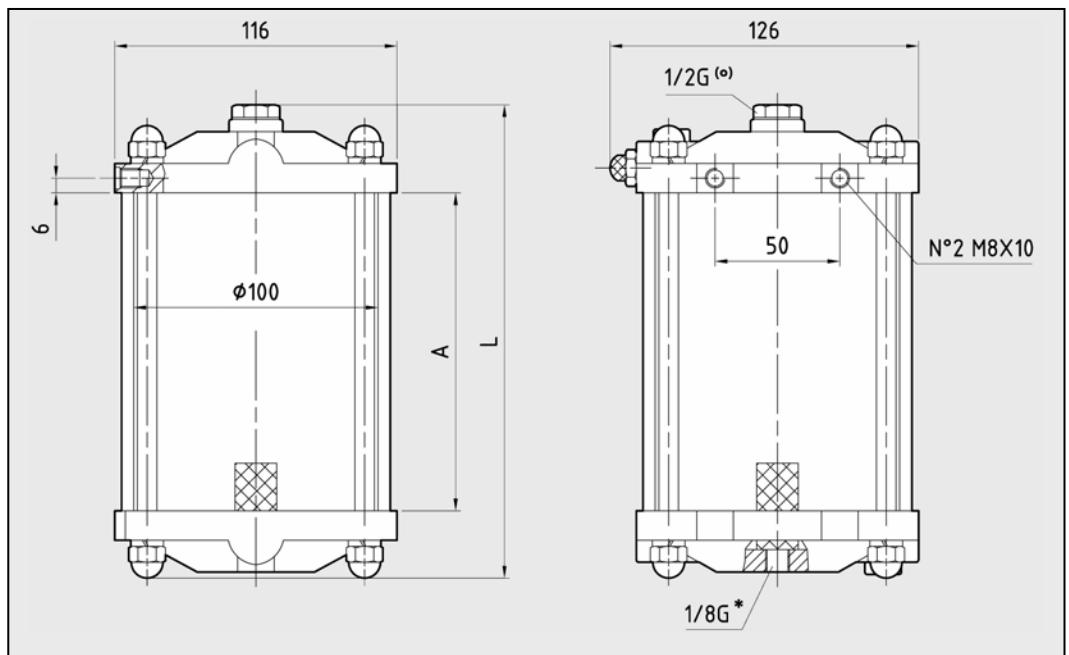
ORDERING CODES

Code	Description
Z52091001075	Methacrylate 750cc tank with pipe
Z52091001100	Methacrylate 1000cc tank with pipe
Z52091001120	Methacrylate 1200cc tank with pipe

DIMENSIONS

(o) = oil filling

* = oil output



ITEM CODE	DIMENSIONS (MM)	
	A	L
Z52091001075	100	160
Z52091001100	130	190
Z52091001120	150	210